

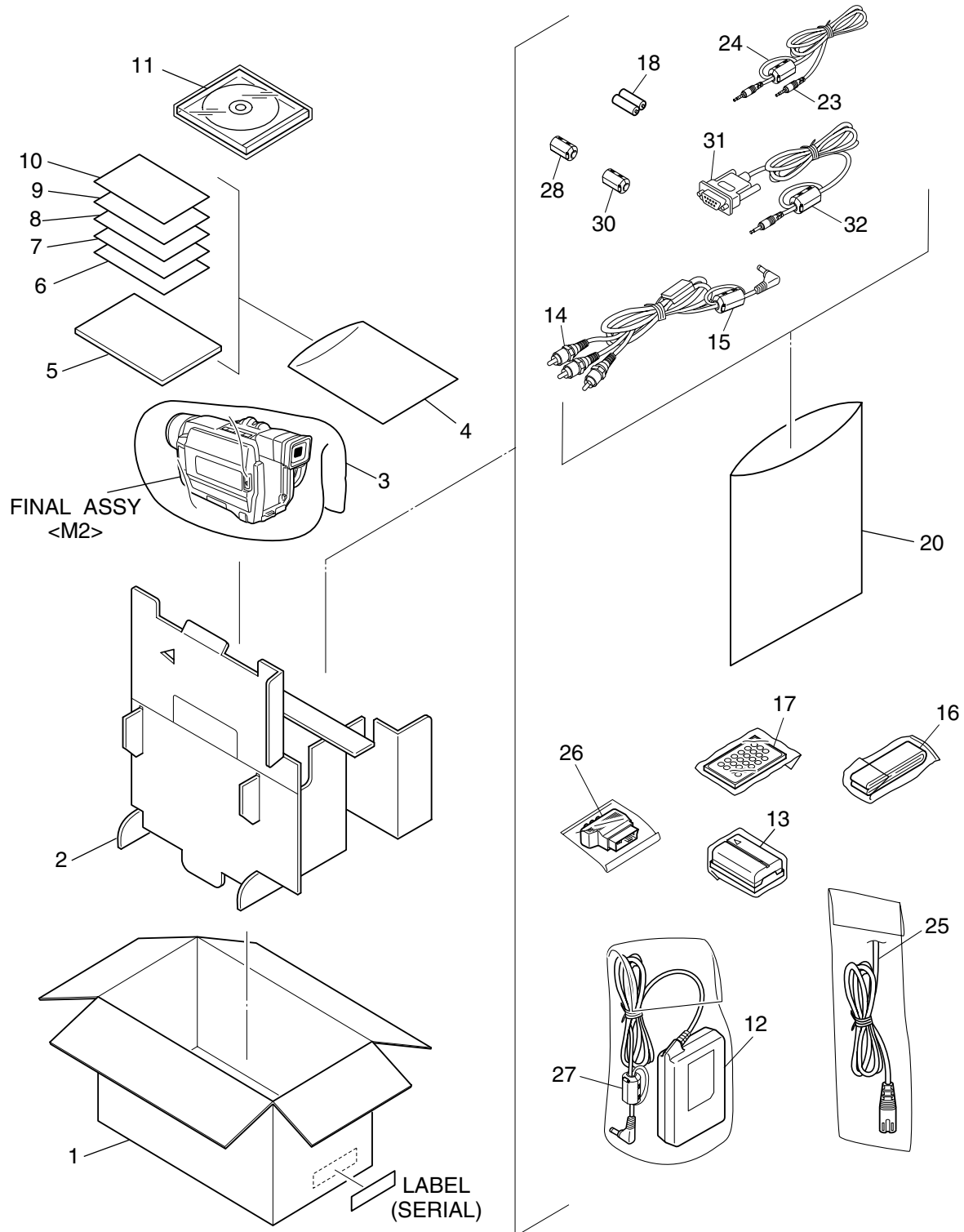
SECTION 5 PARTS LIST

SAFETY PRECAUTION

Parts identified by the  symbol are critical for safety. Replace only with specified part numbers.

5.1 PACKING AND ACCESSORY ASSEMBLY <M1>

The instruction manual to be provided with this product will differ according to the destination.



Δ REF No. PART No. PART NAME, DESCRIPTION

PACKING AND ACCESSORY ASSEMBLY <M1>

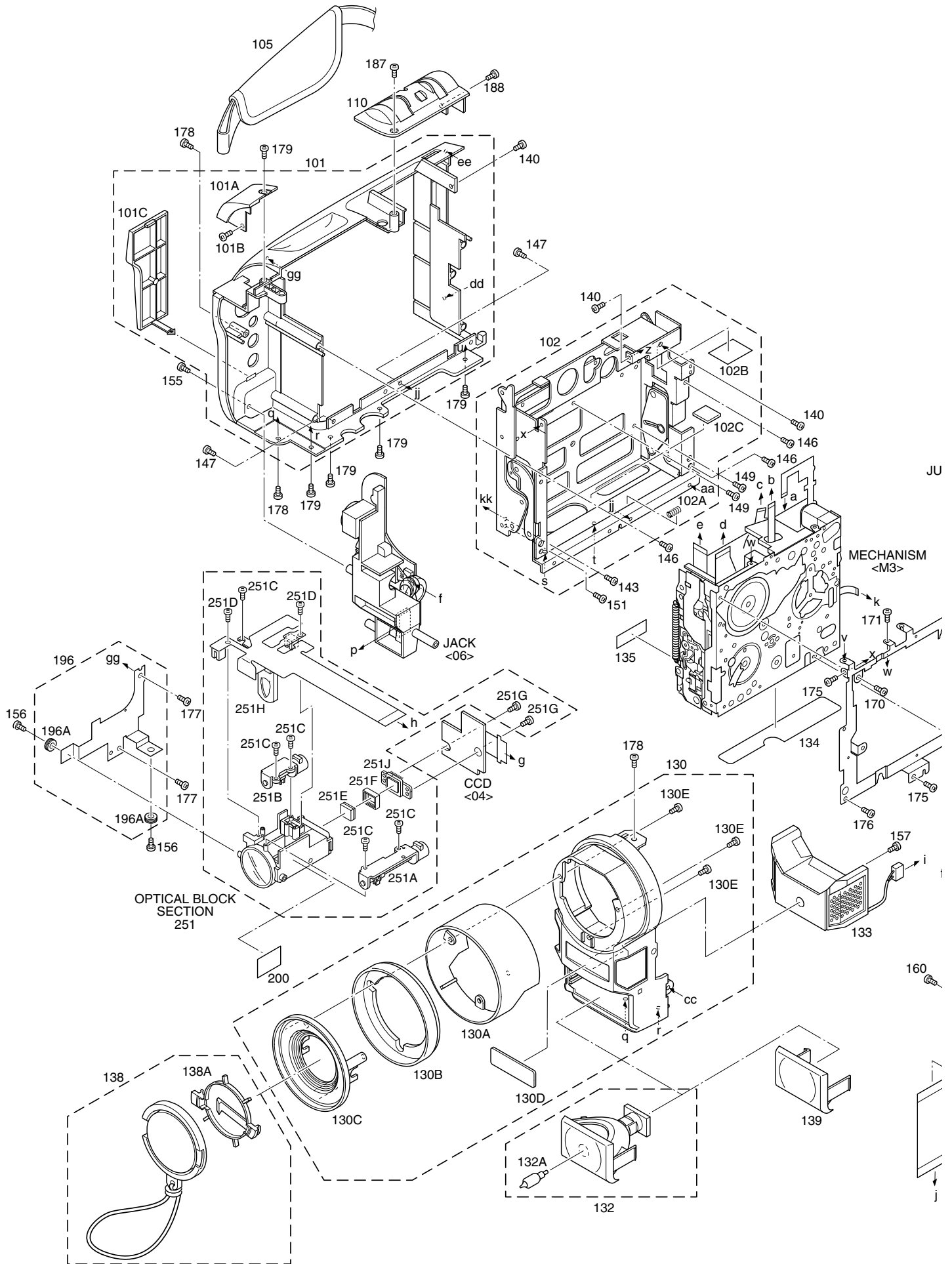
1	LY32095-001A	PACKING CASE,D
	LY32095-003A	PACKING CASE,A
	LY32095-007A	PACKING CASE,B,C
2	LY32096-001A	CUSHION
3	LY30023-008A	POLY BAG
4	QPA02003006	POLY BAG,A,B,D
	YQM30061-3	POLY BAG,C
Δ 5	LYT0728-001A	INST.BOOK(EN),D
Δ	LYT0727-002B	INST.BOOK(GE),B
Δ	LYT0727-003B	INST.BOOK(FR),B
Δ	LYT0727-004A	INST.BOOK(DU),B
Δ	LYT0727-005B	INST.BOOK(SP),B
Δ	LYT0727-006A	INST.BOOK(IT),B
Δ	LYT0727-007A	INST.BOOK(DA),B
Δ	LYT0727-008A	INST.BOOK(FI),B
Δ	LYT0727-009A	INST.BOOK(SW),B
Δ	LYT0727-010A	INST.BOOK(NO),B
Δ	LYT0727-011A	INST.BOOK(RU),B
Δ	LYT0727-012A	INST.BOOK(CZ),B
Δ	LYT0727-013A	INST.BOOK(PO),B
Δ	LYT0727-014A	INST.BOOK(HU),B
Δ	LYT0747-002B	INST.BOOK(GE),A
Δ	LYT0747-003A	INST.BOOK(IT),A
Δ	LYT0747-004A	INST.BOOK(DA),A
Δ	LYT0747-005A	INST.BOOK(FI),A
Δ	LYT0747-006A	INST.BOOK(SW),A
Δ	LYT0747-007A	INST.BOOK(NO),A
Δ	LYT0747-009A	INST.BOOK(SP),A
Δ	LYT0813-001A	INST.BOOK(EN),C
Δ 6	LYT0737-001A	INST.BOOK(SOFT.5LANG),B
Δ	LYT0737-002A	INST.BOOK(SOFT.5LANG),B
Δ	LYT0737-003A	INST.BOOK(SOFT.RU),B
Δ	LYT0501-001A	INST.BOOK(SOFT.SETUP),C,D
7	LYT0378-003A	SHEET(AGREEMENT),B,C,D
8	LYT0194-001B	Q.CARD(JUK),C,D
9	BT-54008-2	GUARANTY CARD,C,D
	BT-54013-2	WARRANTY CARD,A,B
10	LYT0747-008A	SHEET(CORR),A
11	LY32210-002B	CD ROM,B,C,D
Δ 12	LY20688-013A	AC ADAPTER,AP-V10EG
Δ 13	LY31587-001A	BATTERY PACK,BN-V408U
14	QAM0212-001	CABLE ASSY,AUDIO/VIDEO CABLE
15	QQR0918-002	CORE FILTER
16	LY20186-001A	SHOULDER STRAP
17	LY20750-001A	REMOTE CONTROL UNIT,RM-V717U,B,C,D
18	—	BATTERY,AAA(R03),X2,B,C,D
20	QPA01703005	POLY BAG
23	QAM0214-001	RM CABLE,B,C,D
24	QQR0491-002	CORE FILTER
Δ 25	QMPL120-190-JR	POWER CORD,A,B
Δ	QMPP110-190-JR	POWER CORD,C,D
26	QAM0302-001	ADAPTER PLUG
27	QQR0490-002	CORE FILTER
28	QQR0918-002	CORE FILTER
30	QQR0491-002	CORE FILTER
31	QAM0084-001	PC CABLE,B,C,D
32	QQR0491-002	CORE FILTER,B,C,D

• INSTRUCTIONS

EN ENGLISH
 GE GERMAN
 FR FRENCH
 DU DUTCH
 SP SPANISH
 IT ITALIAN
 DA DANISH
 FI FINNISH
 SW SWEDISH
 NO NORWEGIAN
 RU RUSSIAN
 CZ CZECH
 PO POLISH
 HU HUNGARIAN

MODEL	MARK
GR-DVL140EG	A
GR-DVL157EG	B
GR-DVL157EK	C
GR-DVL257EK	D

5.2 FINAL ASSEMBLY <M2>



#	△ REF No.	PART No.	PART NAME, DESCRIPTION

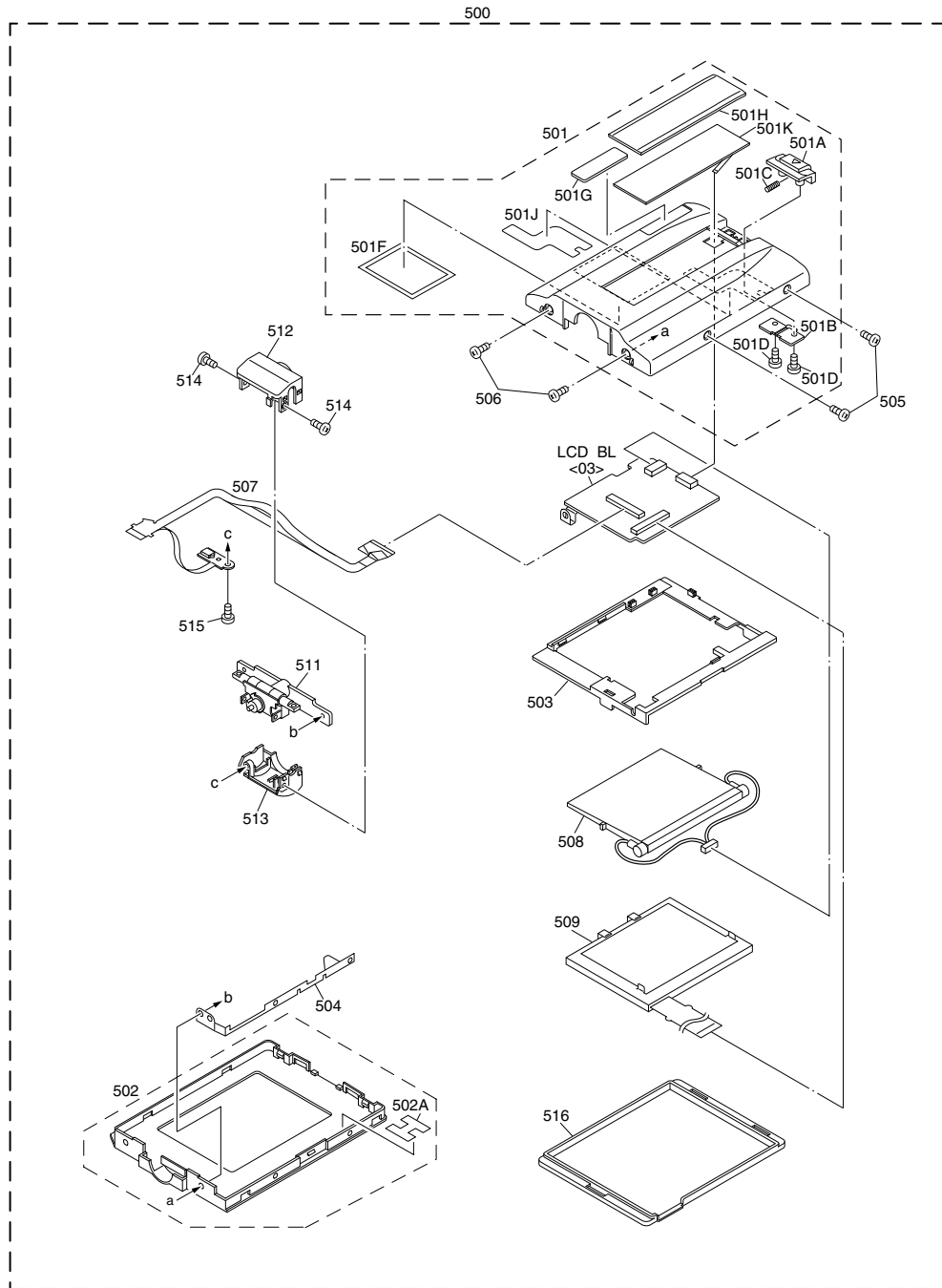
FINAL ASSEMBLY <M2>			
		101	LY20706-001C LOWER CASE ASSY
		101A	LY32098-001A WINDOW(IR)
		101B	LY30018-063A SPECIAL SCREW
		101C	LY32099-001C COVER(JACK)
		102	LY20697-001A ARM ASSY,A
			LY20697-001B ARM ASSY,B,C
		102A	LY30001-023A TENSION SPRING
		102B	LY30029-0C7A SPACER(A)
		102C	LY30029-0E9A SPACER(A)
		103	LY20693-001A ZOOM UNIT
		104	LY20704-001A CASSETTE COVER ASSY
		104A	LY40592-001A CAP(GRIP BELT)
		105	LY20575-004B GRIP BELT
		106	LY42891-001A HOOK(GRIP)
		107	LY32092-013A COVER(AJUST)
		110	LY32093-001A COVER(ZOOM)ASSY
		111	LY20725-001A REAR UNIT
		112	LY41691-001A COVER(JIG)
		115	LY20707-003B UPPER CASE(2.5)ASSY,B,C
			LY20707-011A UPPER CASE(2.5)ASSY,A
			LY20717-003C UPPER CASE3/3.5ASSY,D
		115A	LY32101-001A BRACKET
		115B	LY40664-001A SPACER,X2
		115C	LY31019-001A BASE
		115D	LY30018-084A SPECIAL SCREW,X3
		115E	LY30018-0A8A SPECIAL SCREW,X4
		115F	LY42866-001A CAP(DC JACK)
		115G	LY32110-001A COVER
		116	LY32106-001A COVER(HINGE)
		117	LY30018-084A SPECIAL SCREW,X2
		118	QAS0048-001 SPEAKER
		119	LY42167-001A PLATE(SPK)
		120	LY42919-001A KNOB(SLIDE)
		122	QUQ105-4007AA FFC WIRE
△		130	LY20711-003A FRONT COVER ASSY,B,C,D
			LY20711-004A FRONT COVER ASSY,A
		130A	LY32111-002A HOOD,B,C,D
			LY32111-003A HOOD,A
		130B	LY32112-001A RING
		130C	LY32113-001A HOOD(SCREW)
		130D	LY42953-001A MARK
		130E	LY30018-052A SPECIAL SCREW,X3
		132	LY31617-002A DC LIGHT ASSY,B,C,D
		132A	YQ44266 LAMP,B,C,D
		133	LY32114-001A MICROPHONE
		134	LY40698-002A LABEL(HOUSING)
		135	LY40699-002A LABEL(PUSH)
		136	LY43093-002A STICKER(TOP),A
			LY43093-009A STICKER(TOP),B,C
			LY43093-010A STICKER(TOP),D
		137	LY43094-001A STICKER(SIDE),B,C,D
			LY43094-002A STICKER(SIDE),A
		138	LY42182-002A CAP(HOOD)ASSY
		138A	LY31627-001A SPRING
		139	LY31660-003A COVER(LIGHT),A
		140	LY30018-084A SPECIAL SCREW,X3
		141	LY30018-096A SPECIAL SCREW,X2
		142	LY30018-038A SPECIAL SCREW
		143	LY30018-084A SPECIAL SCREW

#	△ REF No.	PART No.	PART NAME, DESCRIPTION
		144	LY30018-0D1A SPECIAL SCREW
		145	LY30018-084A SPECIAL SCREW,X4
		146	LY30018-084A SPECIAL SCREW,X3
		147	LY30018-038A SPECIAL SCREW,X2
		148	LY30018-038A SPECIAL SCREW,X5
		149	LY30018-084A SPECIAL SCREW,X2
		150	LY30018-084A SPECIAL SCREW,X2
		151	LY30018-023A SPECIAL SCREW
		155	LY30018-084A SPECIAL SCREW
		156	LY30019-029B SPECIAL SCREW,X2
		157	LY30018-023A SPECIAL SCREW
		158	LY30018-0D6A SPECIAL SCREW,X2,B,C,D
			LY30018-090A SPECIAL SCREW,X2,A
		159	LY30018-023A SPECIAL SCREW,X2
		160	LY30018-006B SPECIAL SCREW
		162	LY30018-063A SPECIAL SCREW
		163	LY30018-064A SPECIAL SCREW
		170	LY30019-026A SPECIAL SCREW,X2
		171	YQ43893-4 MINI SCREW
		172	YQ43893-4 MINI SCREW
		173	LY30019-033A SPECIAL SCREW,X2
		174	QYSPSPT1730Z SCREW,X2
		175	LY30018-066A SPECIAL SCREW,X4
		176	LY30018-084A SPECIAL SCREW
		177	LY30018-084A SPECIAL SCREW,X2
		178	LY30018-084A SPECIAL SCREW,X3
		179	LY30018-084A SPECIAL SCREW,X5
		180	LY30018-092A SPECIAL SCREW
		185	LY30018-065A SPECIAL SCREW
		186	LY30018-006B SPECIAL SCREW
		187	LY30018-092A SPECIAL SCREW
		188	LY30018-065A SPECIAL SCREW
		189	LY30018-037A SPECIAL SCREW
		190	LY30018-037A SPECIAL SCREW
		191	LY30018-084A SPECIAL SCREW,X2
		195	LY20696-001A BRACKET(MECHA)
		196	LY42846-001A BRACKET(OP) ASSY,A
			LY42846-001C BRACKET(OP) ASSY,B,C,D
		196A	LY42796-001A BUSH,X2
		198	LY32081-001A SHIELD PLATE
		199	WJT0044-001A E-CARD WIRE,MAIN CN113-JUNC CN571
		200	LY43092-001A PLATE

- OPTICAL BLOCK SECTION -

		251	J7A-233A OPTICAL BLOCK ASSY
		251A	LY30723-001B ZOOM MOTOR
		251B	LY30724-001B FOCUS MOTOR
		251C	LY30727-002A SCREW,X5
		251D	LY30727-001A SCREW,X2
		251E	LY42936-001A OPTICAL LPF
		251F	LY31639-001A SPACER RUBBER
		251G	QYSPSGU1750Z SCREW,X2
		251H	LY32160-001A IRIS MOTOR
		251J	YS40168F CCD BASE ASSY

5.3 MONITOR ASSEMBLY <M5> [GR-DVL257EK]



▲ REF No. PART No. PART NAME, DESCRIPTION

MONITOR ASSEMBLY <M5>

# ▲	REF No.	PART No.	PART NAME, DESCRIPTION
△	500	LYH20246-009A	MONITOR ASSY
△	501	LY20721-003A	MONITOR COVER(3.5)ASSY
	501A	LY31620-001A	KNOB(LOCK 1)
	501B	LY42180-001A	KNOB(LOCK 2)
	501C	LY30002-044A	COMPRESSION SPRING
	501D	LY30018-011A	SPECIAL SCREW,X2
	501F	LY40559-001A	SHIELD SHEET
	501G	LY42883-001A	MARK
	501H	LY32121-003A	WINDOW
	501J	LY42386-001A	EARTH MON
	501K	LY42193-001A	EL(WINDOW)

▲ REF No. PART No. PART NAME, DESCRIPTION

502	LY20598-001A	MONITOR CASE ASSY
502A	LY42388-001A	EARTH MON(2)
503	LY20567-001A	HOLDER(3PWB)
504	LY31622-001A	BRACKET(EARTH)
505	QYSPST1730R	SCREW,X2
506	QYSLSP2040D	SCREW,X2
507	LY31743-001A	MONITOR FPC ASSY
508	QLL0094-001	BACK LIGHT
509	QLD0118-001	LCD MODULE
511	LY32079-001A	HINGE ASSY
512	LY32088-001A	HINGE COVER(1)
513	LY32089-001A	HINGE COVER(2)
514	LY30018-058A	SPECIAL SCREW,X2
515	LY30018-023A	SPECIAL SCREW
516	LY20566-001B	HOLDER(3LCD)